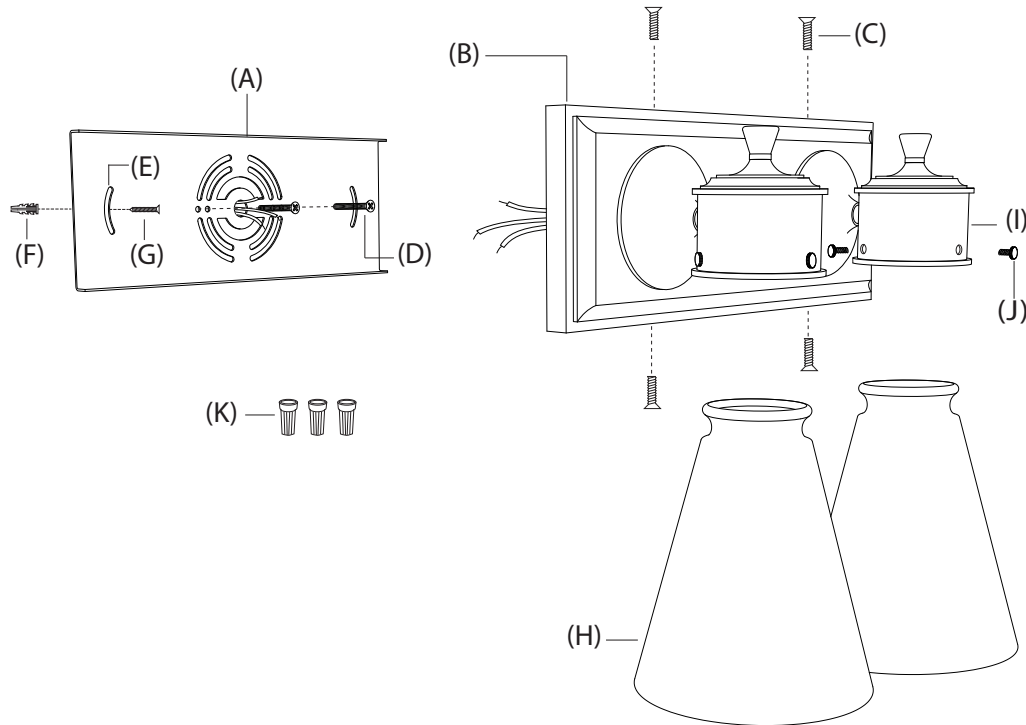


ASSEMBLY INSTRUCTIONS FOR YOUR
WILLIAMSBURG BLAIKLEY DOUBLE WALL SCONCE



IMPORTANT SAFETY INSTRUCTIONS:

- * These instructions are provided for your safety.
- * It is very important that they are read completely before beginning the installation of your fixture.
- * **WE STRONGLY RECOMMEND INSTALLATION BY A LICENSED ELECTRICIAN.**
- * Turn off power at switch before replacing bulbs, making sure fixture has had sufficient time to cool down.

ASSEMBLY INSTRUCTIONS:

1. SHUT OFF THE MAIN ELECTRICAL SUPPLY FROM THE MAIN FUSE BOX/ CIRCUIT BREAKER.
2. Remove all parts from carton and discard packing materials. Place the parts on a protected work surface.
3. Remove mounting plate (A) from backplate (B) by unthreading screws (C). Set screws (C) aside.
4. Lift the mounting plate (A) to the wall outlet box. Hold the mounting plate level and use a pencil to mark the locations of mounting holes (E) on the wall.
5. Set the mounting plate aside and drill small holes at the marked locations. Holes should be sized so anchors (F) fit securely inside. Push anchors (F) into the holes.
6. Carefully pull wires from the wall outlet box and thread them through the center hole in mounting plate (A).
7. Attach mounting plate (A) to wall outlet box using screws (D). Thread screws (G) through holes (E) and into wall anchors (F) to secure mounting plate to the mounting surface.
8. Lift backplate (B) to mounting plate (A) and make the proper electrical connections noted in steps 9 through 11.
A LICENSED ELECTRICIAN IS RECOMMENDED.
9. Attach ground wire from fixture (green or copper in color) to ground wire from outlet box. Fasten wires together with wire nut (K) and tightly wrap connection with electrical tape.
10. Attach hot wire from fixture (black in color or smooth side of wire) to hot wire from outlet box. Fasten wires together with wire nut (K) and tightly wrap connection with electrical tape.
11. Attach neutral wire from fixture (white in color or ribbed side of wire) to neutral wire from outlet box. Fasten wires together with wire nut (K) and tightly wrap connection with electrical tape. Gently push wire connections back into the wall outlet box.
12. Place backplate (B) over mounting plate (A). Use screws (C) to secure the backplate to the mounting plate.
13. Loosen shade pins (J) from housing (I). Lift shade (H) into housing (I).
14. Tighten pins (J) to secure shade (H) to lamp. NOTE: Do not overtighten pins (J) as doing so can cause the glass shade to break.
15. Repeat steps 13 through 14 for remaining shade.
16. Install two 60W MAX. Type B, medium base bulbs into the sockets.
17. Reconnect main electrical supply at the fuse box/ circuit breaker and test the fixture.